



PCT/GB 2003 / 0 0 0 0 4 4

10 / 500880

07 JUL 2004



INVESTOR IN PEOPLE

The Patent Office  
Concept House  
Cardiff Road  
Newport  
South Wales  
NP10 8QQ

# PRIORITY DOCUMENT

SUBMITTED OR TRANSMITTED IN COMPLIANCE WITH RULE 17.1(a) OR (b)

REC'D 14 MAR 2003

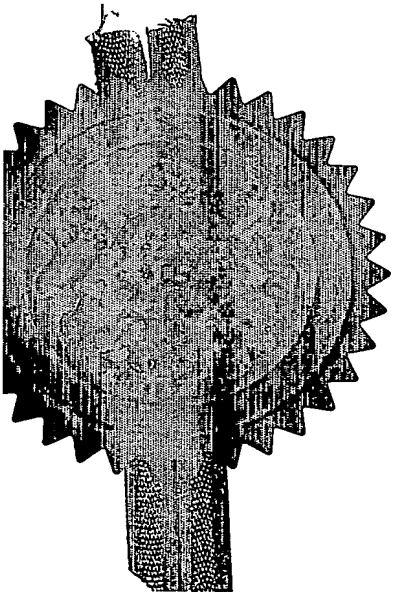
WIPO PCT

I, the undersigned, being an officer duly authorised in accordance with Section 74(1) and (4) of the Deregulation & Contracting Out Act 1994, to sign and issue certificates on behalf of the Comptroller-General, hereby certify that annexed hereto is a true copy of the documents as originally filed in connection with the patent application identified therein.

In accordance with the Patents (Companies Re-registration) Rules 1982, if a company named in this certificate and any accompanying documents has re-registered under the Companies Act 1980 with the same name as that with which it was registered immediately before re-registration save for the substitution as, or inclusion as, the last part of the name of the words "public limited company" or their equivalents in Welsh, references to the name of the company in this certificate and any accompanying documents shall be treated as references to the name with which it is so re-registered.

In accordance with the rules, the words "public limited company" may be replaced by p.l.c., plc, P.L.C. or PLC.

Re-registration under the Companies Act does not constitute a new legal entity but merely subjects the company to certain additional company law rules.



Signed *He Behen*

Dated 18 February 2003

THE PATENT OFFICE  
 - 8 JAN 2002  
 RECEIVED BY FAX

**The Patent Office**

# 1/77

The Patent Office

Concept House  
 Cardiff Road  
 Newport  
 South Wales  
 NP10 8QQ

### Request for grant of a patent

(See the notes on the back of this form. You can also get an explanatory leaflet from the Patent Office to help you fill in this form)

1. Your reference	ALFB / P25669GB						
2. Patent application number <i>(The Patent Office will fill in this part)</i>	<b>0200267.3</b>						
3. Full name, address and postcode of the or of each applicant <i>(underline all surnames)</i>	Sidney C <u>ALFORD</u> 41a Pickwick Corsham Wiltshire SN13 0HX United Kingdom  Patents ADP number <i>(if you know it)</i> <span style="font-size: 1.2em;">4062782001</span>						
4. Title of the invention	DEVICE FOR THE DISRUPTION OF EXPLOSIVE ORDNANCE						
5. Name of your agent <i>(if you have one)</i>	ERIC POTTER CLARKSON PARK VIEW HOUSE 58 THE ROPEWALK NOTTINGHAM NG1 5DD						
6. If you are declaring priority from one or more earlier patent applications, give the country and the date of filing of the or of each of these earlier applications and <i>(if you know it)</i> the or each application number	<table border="1" style="width: 100%; border-collapse: collapse;"> <thead> <tr> <th style="width: 40%;">Country</th> <th style="width: 30%;">Priority application number <i>(if you know it)</i></th> <th style="width: 30%;">Date of filing <i>(day / month / year)</i></th> </tr> </thead> <tbody> <tr> <td> </td> <td> </td> <td> </td> </tr> </tbody> </table>	Country	Priority application number <i>(if you know it)</i>	Date of filing <i>(day / month / year)</i>			
Country	Priority application number <i>(if you know it)</i>	Date of filing <i>(day / month / year)</i>					
7. If this application is divided or otherwise derived from an earlier UK application, give the number and the filing date of the earlier application	<table border="1" style="width: 100%; border-collapse: collapse;"> <thead> <tr> <th style="width: 70%;">Number of earlier application</th> <th style="width: 30%;">Date of filing <i>(day / month / year)</i></th> </tr> </thead> <tbody> <tr> <td> </td> <td> </td> </tr> </tbody> </table>	Number of earlier application	Date of filing <i>(day / month / year)</i>				
Number of earlier application	Date of filing <i>(day / month / year)</i>						
8. Is a statement of inventorship and of right to grant of a patent required in support of this request? <i>(Answer 'Yes' if)</i>	NO						
a) any applicant named in part 3 is not an inventor; or b) there is an inventor who is not named as an applicant; or c) any named applicant is a corporate body. See note (d))							

08JAN02 E686022-1 D02866 G 0 1 A 00 0000  
 001/7700 0.00-0200267 3

Patents Form 1/77

9. Enter the number of sheets for any of the following items you are filing with this form. Do not count copies of the same document

Continuation sheets of this form

Description 27
Claims(s) 0
Abstract 0
Drawing(s) 8

1 set M

10. If you are also filing in any of the following, state how many against each item.

Priority Documents 0
Translations of priority documents 0
Statement of inventorship and right to grant of a patent (Patents Form 7/77) NO
Request for preliminary examination and search (Patents Form 9/77) NO
Request for substantive examination (Patents Form 10/77) NO
Any other documents (please specify)

11. I/We request the grant of a patent on the basis of this application.

Eric Potter Clarkson

Signature ERIC POTTER CLARKSON

Date 8 January 2002

12. Name and daytime telephone number of person to contact in the United Kingdom 0115 9552211

Warning

After an application for a patent has been filed, the Comptroller of the Patent Office will consider whether publication or communication of the invention should be prohibited or restricted under Section 22 of the Patents Act 1977. You will be informed if it is necessary to prohibit or restrict your invention in this way. Furthermore, if you live in the United Kingdom, Section 23 of the Patents Act 1977 stops you from applying for a patent abroad without first getting written permission from the Patent Office unless an application has been filed at least 6 weeks beforehand in the United Kingdom for a patent for the same invention and either no direction prohibiting publication or communication has been given, or any such direction has been revoked.

Notes

- a) If you need help to fill in this form or you have any questions, please contact the Patent Office on 01645 50505.
b) Write your answers in capital letters using black ink or you may type them.
c) If there is not enough space for all the relevant details on any part of this form, please continue on a separate sheet of paper and write "see continuation sheet" in the relevant part(s). Any continuation sheet should be attached to this form.
d) If you have answered 'Yes' Patents Form 7/77 will need to be filed.
e) Once you have filled in the form you must remember to sign and date it.
f) For details of the fee and ways to pay please contact the Patent Office.

## Device for the Disruption of Explosive Ordnance

The present invention relates to a device for the disruption of a wide range of types of explosive ordnance.

3

It is frequently required to disassemble items of conventional explosive ordnance and of improvised explosive devices such as may be fabricated by terrorists and criminals, in order to render them safe. Unless a suitable method of disassembly is carefully applied, any intervention may cause the target to explode. One traditional method consists of manual separation of components in such a way that the initiating mechanism is rendered unable to operate. By means of remotely controlled manipulators, this disassembly may be carried out at a safe distance in order to protect the operator from injury were the target device to explode or ignite during the intervention.

15

Another commonly used method consists of the very sudden disruption of the target device using a charge of high explosive. This method depends upon the separation or breaking of components of the initiation mechanism, or the separation of the initiation system from the main explosive or pyrotechnic charge, before the device has time to function.

This method is most easily applicable to mechanically weak, improvised explosive devices (IEDs).

25 Alternatively, when rendering safe a more robust conventional munition believed not to have a sensitive fusing system, (such as an air-dropped, steel-cased bomb), the shock generated by the explosive method may be used to cause the explosive fill to be ignited without detonation. Confinement of the copious gas produced by the decomposing explosive

usually results in a non-detonative "low order" explosion which bursts the case open and scatters any remaining explosive.

Such explosive methods may consist of a simple "donor" charge of high explosive, such as plastic explosive or a block of trinitrotoluene, placed close to, or in contact with, the target device. A great disadvantage of this type of attack is that it yields unpredictable results, and unwanted detonation of the target munition frequently occurs.

Explosive may alternatively be used as the source of power in a tool for the disruption of explosive targets; such a tool is commonly known as a "disruptor". In this case, the explosive used is usually a non-detonative propellant rather than high explosive and it is used to propel a disruptive projectile from a gun barrel; it may alternatively be high explosive used as a component of a "shaped charge".

In the latter case, which is usually but not exclusively used against conventional munitions, (usually encased in such hard materials as steel or aluminium alloy), one end of a small explosive shaped charge is provided with a metal-lined, radially symmetrical, cavity. This metallic liner is collapsed by the progressive detonation wave front so as to generate an extremely fast-moving jet of metal. This penetrates the case and injects hot metal into the explosive or pyrotechnic fill, causing it to ignite or to explode. Such charges are usually employed at "stand-off" distances corresponding to four or five charge diameters. In a variant of such disrupting charges, the use of a cavity liner provided with only shallow concavity yields a projectile consisting of a coherent mass, or "slug", of hot metal which can be projected over relatively great distances, typically equivalent to tens or hundreds of charge diameters. The impact of such projectiles frequently causes the target munition to detonate as a result of

the shock wave generated, and is sometimes intended to induce such detonation but, if the hot injected material causes the fill to ignite rather than to detonate, the internal pressure generated by the gaseous combustion products usually causes the case to burst violently, albeit without  
5 detonation. Such violent disruption often causes the burning residual explosive to be extinguished but the method always carries the risk of unwanted detonation.

A further method in which high explosive is used for attacking conventional  
10 munitions is the use of sheet explosive for the projection of a flat plate in order either to make a hole of large diameter in a target munition or, alternatively, to knock off the external nose fuse of a shell or bomb.

Disruptors consisting of a robust, smooth-bore, gun barrel employ a blank  
15 propellant cartridge to project an inert mass at the target munition. This mass may consist of metal shot, a steel slug, or particulate metal in a plastic, viscous aqueous or plaster matrix. Such a method is most commonly used to project water at relatively thin-skinned improvised targets in order to burst them open or to remove the end-cap from a pipe bomb. One particular  
20 variant is the use of a rifle, usually of large calibre, such as 0.5 inch, to strike the munition from an armoured vehicle at a safe distance. Such weapons are used for the disruption of mines, sub-munitions, explosive projectiles and steel-cased aircraft bombs. One of my earlier inventions, described in British Patent Specification GB2292445, consists of a disruptor  
25 which combines the advantages of high explosive as a propellant with water as a projectile and which projects water at much higher velocities than are ordinarily attainable using a gun barrel using shaped charge configurations in which the cavity in the explosive charge is lined, or is filled, with water or other liquid or liquescent material.

30

In order to be prepared to carry out successful render-safe procedures (RSPs) on the multiplicity of possible types of target devices charged with explosive or pyrotechnic composition which he may encounter, the explosive ordnance disposal (EOD) operator presently needs a  
5 corresponding multiplicity of tools. These, typically, include malleable plastic explosive, sheet explosive, detonators, two or three types of metal shaped charge case, a gun for projecting water, and another for projecting steel slugs or chisels, as well as factory-filled cartridges and, in some cases, shaped charges.

10

Existing devices in which high explosive is used as the propellant are almost invariably used in conjunction with a metal projectile, such as a copper or iron cone, dish or plate. The body is usually made of steel or aluminium. According to national practice, the device may be issued to the  
15 user pre-filled with explosives in a factory or it may be issued uncharged, and the filled extemporaneously by the user using plastic or, occasionally, liquid explosive.

Most such devices are derived from the technology developed for use as  
20 shaped charge warheads in armour-piercing missiles and the user has no control over their performance other than choosing the point of aim and the stand-off distance.

In the case of one such pre-filled device, the manufacturer provides a series  
25 of brass discs which the operator can place between the disruptor and the target in order to mitigate the violence of impact of the jet of metal which it generates on the target munition. Such disruptors are commonly referred to as "weapons" and suffer the disadvantage that regulations require that they be acquired, transported, stored and issued as explosive items.

30

In variants of known inventions, in which the body of the disruptor is supplied empty to be loaded by the operator with plastic explosive immediately before use, the dished or conical projectile is fixed at one end by means of a crimp in the extremity of the case or it is a sliding fit within the body and urged against an internal rim at one end by the explosive which the operator tamps behind it. The means of initiation is usually a detonator and the part supporting it usually consists of a disc or plug with an axial hole. Such arrangements have the advantage of giving the operator an additional variable parameter: although the explosive properties of one military plastic explosive varies but little from another, the amount of explosive used, and hence the energy output of the device, can be varied by the operator. The limitations even of these disruptors are such that they are generally used for only one type of intervention on a target munition, the so-called "low-order" disruption of shells and bombs in which the case is penetrated by hot metal which ignites the explosive fill; this burns so vigorously that the case cannot stand the copious volume of gaseous combustion products and bursts violently. This method frequently results in unwanted detonation (or "high order" reaction).

The probability that disruptors and donor charges of explosive fired in contact with conventional munitions, such as bombs dropped from aircraft, will cause unwanted detonation of the target munition is attributable to the large amounts of explosive required for such operations according to usual contemporary practice and to the diameter of such charges. A contact charge large enough in diameter and thickness to perforate reliably the steel case of a typical air-dropped bomb, which may be as much as twenty five millimetres thick, is precariously close to the size sufficient to detonate its fill and such unwanted detonations occur frequently when they are used.



Not only is the quantity of explosive required often sufficient to induce such detonation but the diameter of the charge needed to induce reaction of the target munition's contents is frequently excessive. In order for detonation to occur throughout a mass of explosive it is necessary for a high pressure shock wave to run far enough for the explosive decomposition it induces to become self-sustaining. This is known as the "run distance" and is a constant for a given explosive. The distance that the requisite high pressure shock wave will be maintained as it passes through an explosive target is a direct function of the diameter of the zone of its surface subjected to explosive attack and, in contemporary EOD practice, this is such that the run distance is likely to be exceeded for the types of explosive most often used for filling munitions.

Many of the resulting unwanted detonations are then frequently but erroneously attributed to the known process of "burning to detonation" or "deflagration to detonation transition" (DDT), which process consists of an initially combustive reaction which accelerates exponentially under the condition of confinement until a shock wave is generated which results in the detonation of the remaining explosive fill. In fact, many of these incidents are attributable to direct shock initiation by the donor charge or to the indirect action of the high velocity, high density, and wide-bodied projectile striking its surface.

Those gun barrel disruptors which project water are of two general types: those in which the water is pre-loaded into the same cartridge as the propellant and those in which the propellant, which is a fast burning powder of the type used in conventional small-arms cartridges, is loaded in a blank cartridge case. The water is then poured into the barrel where it is retained by a plastics or rubber plug. Such disruptors have the disadvantage of powerful recoil and limited projectile velocity. Since most are made of

steel, they are too heavy for deployment by small remote-controlled vehicles. The use of materials of lower density than steel increases the velocity of recoil. Such recoil may be reduced by the simultaneous discharge of water or gas rearwards but the advantage of such an arrangement is largely negated by the extra weight of the additional components required for this purpose and the increased blast and projectile effect behind the disruptor.

A variant of the gun barrel projects a steel slug rather than water. Such a slug may be flat-nosed or it may have one end in the shape of a chisel. Such projectiles are sometimes employed to remove end-caps from pipe bombs and nose fuses from such conventional munitions as shells and mortar bombs. They have the significant disadvantage of a potential range of hundreds of metres so constitute potentially dangerous missiles if they miss, or bounce off, the intended target. It is one purpose of the present invention to make such potentially dangerous procedures unnecessary by substituting liquid projectile materials or materials of lower density or combustible materials which, if unconstrained, have much shorter ranges.

The present invention provides a disruptor comprising at least one or more of the following:-

container with means to vary the capacity of explosive material held within the container; and

means to effect a ready connection between the disruptor, and/or explosive material and/or projectile means.

In this way, the disruptor can be readily assembled from a kit of parts such as to have a particular specified function.

Also, it is possible to provide a disruptor with any of a wide variety of different criteria by assembling together whichever of a number of different elements are appropriate. Thus, using a limited number of basic elements, a very wide range of disruptors can be quickly and easily constructed and  
5 provided.

The disruptor may have any one of the following features:-

- 10 • An enclosure with a wall positionable at any one of a number of locations to define the capacity of the container;
- A spacer to define the position(s) of the wall of the enclosure;
- The container and a layer of lacquer or similar moldable or fixable material;
- 15 • Engagement means on the disruptor and/or the container and/or projectile means to effect ready connection there between;
- Screw-thread means on the disruptor and/or the container and/or projectile means to effect ready connection there between;
- Push-fit means on the disruptor and/or the container and/or the projectile means to effect ready connection therebetween.

20

The present invention also provides a kit of parts for the assembly of a disruptor including any one or more of the elements of a disruptor as defined in the present invention.

25 The present invention provides a means of disrupting and rendering safe a wide range of types of explosive or pyrotechnic munition or improvised explosive device.

The present invention comprises a container which is loaded by the user  
30 with a variable quantity of plastic explosive and a projectile. Both quantity

of explosive and type of projectile are determined according to the nature of the target to be disrupted and according to the effect which it is required to produce thereupon.

5 One purpose of the invention is to provide the advantage of being inert and free from restrictions associated with the acquisition, transportation, storage and issuing of explosive devices until it is loaded with explosive by the user.

10 A further purpose of the present invention is to overcome the difficulties and expense inherent in using gun technology to project water, and to project water at much higher velocities than are ordinarily achievable with guns. This is made possible by the use of light plastics materials for construction of the case and high explosive as the propellant, thus avoiding  
15 the necessity of a robust barrel, and the use of shaped charge technology for imparting directionality to the projected water.

Since the invention uses cases which are advantageously, but not necessarily, formed from plastics materials, and employs high explosive as  
20 the propellant, the case disintegrates upon actuation. This means that energy is dissipated by the projection of small plastics fragments, and by the generation of a shock wave in the surrounding medium. Thus, no significant recoil is exerted upon its supporting structure. This renders possible its support and deployment by much smaller means than are required for  
25 conventional disruptors of comparable disruptive capability.

The energy imparted to the projectile material by a charge of high explosive is a function of the pressure generated by the detonation and of the duration of the high pressure. One optional feature of the present invention is a  
30 water-filled jacket which, by virtue of its high density compared with that of

air, impedes the dispersion of the gaseous detonation products and thus prolongs the period during which the expanding detonation products act upon the projectile material. It will be understood that the effectiveness of such a jacket may be enhanced by filling with a material of higher density.

5

The present invention also incorporates the optional means of conducting disruptive operations not only in air but also under water. This increases considerably the scope of its applications. This means may consist of an elongate nozzle so arranged that all projectile material issues through an  
10 orifice of very small diameter at its apex. It thus may provide the additional advantage of permitting the striking of a very small target area while affording considerable protection to the surrounding area. This is of particular advantage when disabling a target device in which a small explosive charge is intended to disperse a larger quantity of toxic or  
15 biologically active material.

In one embodiment, the present invention is intended to strike a target munition over as small an area of its surface as possible in order to minimise the probability of shock-initiation of its explosive contents. This  
20 embodiment also provides the means of accelerating projectiles without concavity to such high velocities as are ordinarily associated with conventional shaped charges.

In order that the invention may more readily be understood, a description  
25 will now be given, by way of example only, reference being made to the accompanying drawings, in which:

Figures 1A and 1B are assembled and exploded views of a longitudinal section of a disruptor of the present invention in which the projectile is  
30 propelled by a full charge of explosive.

Figures 2A and 2B are assembled and exploded views of a longitudinal section of another embodiment of disruptor in which the projectile is propelled by less than a full charge of explosive.

5

Figures 3A and 3B are assembled and exploded views of a longitudinal section of another embodiment of disruptor in which the projectile consists of a cone of plastics and water.

10

Figures 4A and 4B are assembled and exploded views of a longitudinal section of another embodiment of disruptor adapted for use under water by internal seals and application of a radially symmetrical elongate nozzle.

Figure 4C is a perspective view of the nozzle of Figure 4A;

15

Figure 5 is a longitudinal section of an embodiment of the invention adapted for trepanning.

Figure 6 is an angular projectile;

20

Figure 7 is a longitudinal section of an embodiment of the invention adapted for trepanning and provided with a water-filled jacket;

Figure 8 is an exploded view of the disruptor of Figure 7;

25

Figure 9 is a disruptor supported on tri-pod legs;

Figure 10 is a further embodiment of disruptor.

00701 06 258 27.00 000 01100

Referring to Figure 1 of the drawings, plastics disruptor 1 consists of cylinder 2 which is provided with an axial tube 3 which serves to support the means of initiation which is most commonly a detonator D which is referenced 5. The tube 3 may conveniently be joined to cylinder 2 by a conical zone 4. During the process of loading, the detonator D may conveniently, and for the sake of safety, be occupied by a dummy detonator which is slightly shorter and slightly greater in diameter than the detonator which is to replace it.

10 The loading process consists of tamping a measured amount of plastic explosive into the cavity 6 within disruptor 1, extending from the end of the dummy detonator to the rear wall of the projectile 7. When the maximum amount of explosive is used, the forward edge of the projectile 7 is in the same plane as, or a few millimetres proud of, the edge of disruptor 1. In this case the projectile 7 may be held inside the cavity 6 and urged against the explosive contained therein by the threaded consolidating ring 8 which engages with the externally threaded portion 9 of disruptor. The act of screwing the consolidating ring 8 onto disruptor 1 also ensures that the projectile 7 is axially aligned, as its edge abuts against the integral circumferential ridge 10 within the ring 8.

20 Referring to Figure 2 of the drawings, a projectile 7' is shown in conjunction with a reduced explosive load 11. In this case, since the internal ridge 10 of the consolidating ring 8 cannot bear upon the edge of the projectile 7', a tubular spacer 12 is inserted in the cylindrical part 2 of the disruptor so that one end abuts upon the edge of the projectile 7'. The internal ridge 10 of the consolidating ring 8 then bears upon the other end of the spacer 12 so that screwing the ring 8 onto the body 1 urges the projectile 7' against the explosive 11, to be initiated by the detonator 13, ensuring the axial alignment of the projectile 7' in so doing.

Referring to Figure 3, a conical cavity is formed in the explosive charge 21 and the space in front of the cavity filled with water 22. If the explosive is not sufficiently resistant to contact with water, the interface may be consolidated by the application of a layer of lacquer to the exposed surface of the explosive or by the interposition of a thin plastics cone. The forward front of the water is defined by the insertion of a plastics cone 23, most conveniently made from polyethylene for the sake of its easy compliance, into the mouth of disruptor 24. This cone, being provided with an integral tubular spigot 25 which is tight-fitting, also acts as a stopper and contains the water. The assembly thus constitutes a shaped charge of generally commonplace form but with the projectile consisting of a cone not of metal but of a polyethylene and water composite. Though less penetrating, for a given mass of explosive, than a conventional shaped charge with a metal liner, the jet formed is still capable of penetrating even thick-skinned conventional munitions such as aircraft bombs and possesses considerable disruptive power. It is, however, very much less likely to induce deflagration or detonation of the explosive or pyrotechnic fill of the target munition so it constitutes an effective tool for the bursting open of small munitions, such as grenades and sub-munitions, with ejection of the fuses, in cases in which minimal violence or recovery and exploitation of components is an important consideration.

Referring now to Figure 4 of the drawings, disruptor 30 is shown with a light explosive load 31 and adapted for use under water as well as in air. Since a small volume of explosive means that the projectile needs to be urged a greater distance down the inside of disruptor 30, a single spacer would not suffice to transmit thrust from the consolidating ring 33 to the projectile 34. In this case, two or more spacers 35 may be employed so that the thrust is exerted through the linear array of spacers. In order to prevent



the ingress of water *via* the thread 36 locating the consolidating ring 33 and disruptor 30, a flat rubber washer 32 is placed at the forward edge of the outermost spacer 35 and an O-ring 37 is located in a circumferential groove in the most forward spacer.

5

An elongate cone or nozzle 38 fits on the forward end of the consolidating ring 33. An O-ring 39 fitted into a circumferential shoulder on the forward edge of the ring 33 provides a hermetic seal between the ring 33 and the nozzle 38. Since the apex of the nozzle 38 is closed by a thin, integral, diaphragm 40, the interior of the entire assembly is protected against the  
10 ingress of fluids so may be used under water.

If a projectile in the form of a disc 34 is propelled by an explosive charge contained within a case such as a disruptor of the present invention, the disc  
15 tends to disintegrate since each increment of the disc is propelled by the advancing detonation wave front along a notional line from the tip of the detonator through the centre of that increment and the fragments thus produced form a divergent pattern.

20 An important property of the nozzle 38 is that each of the fragments produced by this mechanism strikes the inner surface of the nozzle 38 at a very acute angle and, in consequence, does not perforate the wall of the nozzle 38 but is deflected along the inner surface of its lumen towards the apex. The projected material strikes the end diaphragm 40 almost normally  
25 so bursts through it and emerges as a projectile of very high velocity.

Since the wall of the nozzle 38 usually remains intact, the surface of a target attacked by this highly collimated projectile suffers no damage outside the impact zone.

30

The invention thus constitutes a means of striking a target with great precision and great selectivity. This is of particular value in the rendering safe of a munition which can be made incapable of explosion by the destruction of a specific component with minimal risk of dispersing ancillary components, such as toxic or radioactive substances forming part of, or adjacent to, the target munition. The nozzle 38 also provides a valuable aid to precise aiming in conditions of low light, as when diving in dark, dirty, water, or in conditions of difficult access, as in the case of a small target in an encumbered position on a floor where line of sight may not be possible. In such cases it suffices to place the tip of the nozzle 38 in contact with, or close to, the point of intended impact and to adjust the position of the rear of the assembly in order to determine the angle of attack.

It should be noted that this collimating property of an elongate nozzle is not limited to a flat projectile: it may advantageously be used in conjunction with concave or even slightly convex projectiles and may be considered as a novel type of shaped charge.

It is known in the art that a conventional shaped charge with a conical liner produces an elongate "jet" of metal of which the tip, which derives from the region of the cone near the apex, travels faster than the rear-most part of the jet, which derives from the peripheral region, as a result of the higher explosive to liner ratio. Thus, a velocity gradient exists along the jet from the tip to the rear. This causes the jet to increase in length as it moves until it breaks up into a series of small pieces travelling at different velocities and in slightly different directions. This phenomenon severely limits the range at which such a jet is effective and means that the optimal stand-off distance between charge and target is of the order of five charge diameters.

30

Since the projectile leaving the nozzle 38 emerges from a hole at the apex of the nozzle which has a cross sectional area much less than that of the originating projectile 34, it follows that the projectile must be highly elongate. The mode of its formation is very different from that of a conventional shaped charge and results from the squeezing of a disc whose increments are accelerated at approximately the same rate. Thus the velocity gradient characterising a conventional shaped charge jet does not occur and the rod-like projectile generated by means of the nozzle remains coherent to a greater degree. This implies the potential for attacking targets at much greater range than is possible with conventional shaped charges. The nozzle 38 may accordingly be advantageously be provided with a rear-sight 42 and detachable fore-sight 43.

As with conventional shaped charge disruptors, the invention may use conical projectiles of copper. The relatively high density of copper and its ductility make it suitable material for the generation of highly penetrating jets but such jets are powerful initiators of detonation. It follows that such an assembly constitutes an effective means of destroying target munitions by bringing about their detonation, especially if the point of aim is the booster which necessarily consists of an explosive, such as tetryl or RDX and wax, which is more easily detonated than is the explosive employed for the main charge, which is typically TNT, a mixture of RDX and TNT or a plastic bonded explosive.

If it is the intention of the operator to avoid detonation but rather to cause the ignition of the explosive or pyrotechnic fill, then the copper projectile may advantageously be replaced by one of magnesium. Not only does this metal possess a much lower density, which makes it a poor initiator of detonation, but its low melting point and its affinity for oxygen cause the collapsing cone to ignite. Thus the target projectile is penetrated and

00701 02 100 24.04 0110 000000 010 1000 000000 000000

injected with exceedingly hot burning metal. This constitutes a powerful means of igniting the composition of the target munition.

5 An alternative for this purpose to a cone of such readily combustible metal as magnesium, which depends upon ambient oxygen for its combustion, consists of a projectile composed of a mixture of two metals, such as aluminium and nickel, or aluminium and palladium, which react exothermically if raised to the temperature at which the aluminium melts. This reaction, in which the two metals form an alloy, does not involve  
10 oxidation of either components so is independent of ambient oxygen.

It will be understood that any of the assemblies defined by the invention may be filled with explosive and assembled by the user extemporaneously but that the invention also lends itself to filling in a factory and provision to  
15 the user as an explosive charge needing only the insertion of the means of initiation by the operator.

Figure 4C shows the nozzle 38 of Figures 4A and B.

20 Figure 5 shows a disruptor 50 of the present invention in combination with such other components as bring it into the scope of one of my earlier inventions, the trepanning charge (UK Patent GB 2 105 015 B). In this arrangement, the forward end of the consolidating ring 51 is inserted in a cylindrical socket 52 on the end of a plastics cylinder 53. Within the  
25 cylinder 53 is an integral cone 54 which is attached to the distal end of the cylinder 53. It follows that the apex of the cone 54 is directed towards the disc-shaped projectile 55.

30 Upon detonation of the explosive charge 56, the projectile/disc 55 is propelled towards the cone 54 whereupon the apex of the cone 54 pierces

the disc 55 which is progressively deformed as it passes along the inside of the cylinder 53 until it is projected through the annular groove 57 and emerges as an annulus travelling at such high velocity that it trepan a disc from a target 58 upon which the end of the cylinder 53 abuts. This  
5 embodiment of the invention provides a means of cutting large holes in target munitions using smaller amounts of explosive than are required by other explosive means. A large hole is preferable, for example, for the rapid flooding of sea mines in order to de-activate their firing mechanisms. It will be understood that the usefulness of this charge is not limited to the practice  
10 of explosive ordnance disposal but is of general applicability in explosive engineering.

Figure 6 shows the shape of projectile 34, for example of two inclined planes terminated by the line of intersection and by a cylinder of which the  
15 diameter is defined by this line, otherwise an ellipse folded across its short axis.

In Figure 7, disruptor 70 is shown surrounded by a plastics jacket 71 which can be slid onto disruptor before the detonator is inserted. The effect of the  
20 water 72 which fills the jacket 71 is to confine the explosive charge 73 and thereby increase the amount of energy imparted to the projectile 74. It will be understood that the water 72 may be replaced by other liquids. A solution of ethylene glycol or of calcium chloride, for example, would lower its freezing point and maintain the liquid state when used at lower temperatures  
25 than the freezing point of water. Dissolution of such substances as calcium chloride or zinc chloride as increase the density would enhance the tamping effect. Since any liquid in the jacket 71 is instantly dispersed as fine droplets, a liquid containing a suitable reagent could be quickly mixed with any liquid or gaseous substances resulting from the rupturing of a target  
30 vessel. A powerful oxidising and sterilising agent such as a solution of

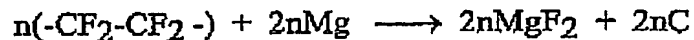
calcium hypochlorite, for example, would denature nerve gases or biotoxins and sterilise bacterial spores.

By way of example, a charge in which the projectile was polyethylene and water was loaded with 20g of PE4 plastic explosive in which a 60° conical cavity was formed. The exposed surface of the explosive was sprayed with acrylic lacquer. After this had dried the remaining space was filled with water before insertion of a 60° polyethylene cone, 2mm thick, apex first. The assembly thus constituted a shaped charge with a polyethylene and water conical liner. This was fired from a stand-off distance of 50mm at a stack of six mild steel plates each 3mm thick. All plates were perforated. The hole diameter increased from approximately 8.0mm to 10.0mm.

In an example of the use of a water and polyethylene lined shaped charge to disrupt a small bomb, a similar assembly was loaded with 20g of C4 plastic explosive and aimed from a stand-off distance at a point midway between the driving ring and the start of the ogive of a Composition B-filled US 51mm mortar bomb. The fuse was ejected and the case broke round the driving ring without apparent explosive reaction of the fill.

Another form of projectile material which evolves heat even in the oxygen-deficient interior of a munition is a heat-emitting pyrotechnic composition. Such compositions most commonly consist of a mixture of a fuel component, such a metal powder, and an oxidising salt, such as an inorganic nitrate, chlorate, perchlorate or chromate or the oxide of a heavy metal. They are therefore inherently potentially dangerous in storage and use. The present invention, which involves the violent distortion of the projectile, thereby provides the means of mixing two or more components which constitute separate entities in the undistorted projectile. Thus, by way of example, a shaped charge cone might be formed in two or more layers, each

of a different reagent, so that mixing and ignition occurs only as the charge detonates and the cone is deformed. Suitable components for such a projectile might be magnesium and polytetrafluoroethylene. This mixture begins to react at about 493°C with the evolution of a very large amount of  
5 heat according to the equation



Yet another consists of a compressed or encapsulated oxidant which would  
10 react chemically with the oxygen deficient contents of the target munition. Thus TNT, which is a highly oxygen deficient explosive of unusually low melting point but of high stability, is relatively difficult to ignite by brief contact with even very hot metal which it tends to quench without reaction. The explosive injection of a hot oxygen donor would constitute a more  
15 powerful means of ignition. Though the very high proportion of oxygen in, for example, potassium perchlorate, is an attractive feature in such an application, it has the rather high decomposition temperature of about 440°C. Silver nitrate and potassium permanganate, with decomposition temperatures of 305°C and 240°C respectively, are thus considerably more  
20 powerful instigators of combustion.

In a further example of this type of charge, two similar charges were each loaded with 30g of PE4 and fired simultaneously and parallel to each other at the side of a British 81mm mortar bomb from a stand-off distance 50mm.  
25 Two holes, 45mm between centres and 12 and 6.5mm in diameter, were made in the bomb case and the fuse was ejected without reaction of the explosive fill.

The use of the invention to cause the ignition of explosive-filled munitions  
30 is illustrated by shaped charges projecting magnesium liners.

By way of example, a charge was loaded with 30g of PE4 and a projectile consisting of a magnesium cone with an included angle of  $120^{\circ}$  and 3mm thick. It was aimed at the driving band of a British RDX/TNT-filled fused 81mm mortar bomb at a stand-off distance of 50mm. The case was split and  
5 the explosive and the fuse ejected without detonation.

In a further example, a similar charge was aimed from a stand-off distance of 50mm at the side of a plugged British 1,000lb Mk 13 bomb at a point 350mm from the base. The bomb contained an aluminised mixture of  
10 RDX/TNT/wax containing synthetic fibres to enhance mechanical strength and thus prevent cracking. The disruptor caused the bomb case to split longitudinally and an estimated 90 per cent of the explosive fill was ejected in a single lump and projected approximately 10 metres.

15 In an example of firing against a large, fused, munition, a 50g load of C4 was used to fire a magnesium cone against the side of a US Mk 80 series 500lb aircraft bomb filled with RDX/TNT. The bomb had both a nose fuse and a base fuse. It was attacked at a stand-off distance of 50mm at a point 350mm from the base. The case split open and the explosive fill was  
20 dispersed in mostly small pieces. Both fuses were ejected.

An example of the enhancement of target penetration by a disc afforded by an elongate nozzle is provided by a charge in which a 30g load of PE4 propelled a 4mm thick magnesium disc along the lumen of an elongate  
25 plastics nozzle with an included angle of  $10^{\circ}$  and a wall thickness of 3mm. When placed normally to a thick steel plate with the apex of the cone resting upon it, a cavity 13.6mm deep and tapering from 19 to 11mm in diameter was formed.



An example of the highly directive qualities of an elongate cone is provided by a charge loaded with 10g of C4 propelling a composite cone of polyethylene and water along the inside of a similar elongate plastics cone. This was directed at the capacitor of a fast acting high voltage firing circuit  
5 connected to a remote electric fuse head. The circuitry included a switch consisting of a metal foil and paper sandwich which was penetrated as the disruptor was actuated. This initiating circuit, and two plastics containers of water, having a wall thickness of less than one millimetre, were contained within a cardboard box. Firing of the disruptor generated a jet of  
10 polyethylene and water which travelled at such velocity as to penetrate and discharge the capacitor before the remote fuse head had time to explode. Despite some tearing of the cardboard box, the plastics containers of water were not ruptured.

15 A further example of the usefulness of the nozzle is illustrated by the firing of a similar charge to that used in the preceding example against the anti-lift fuse of a limpet mine attached to a steel plate under water. The mine was removed from the steel plate and the switch immobilised in such a manner as would have prevented the initiation of the mine.

20 The following example illustrates the functioning of the embodiment of the invention used for the purpose of trepanning. A charge was loaded with 30g of PE4 and a projectile consisting of a disc of aluminium 2.8mm thick and weighing 5.5g. The charge was fitted to an ABS plastic trepanning  
25 attachment containing a 25° cone, the base of which rested upon a sheet of mild steel 6mm thick. Upon detonation, the charge cut a neat hole 38mm in diameter. A steel disc 26mm in diameter was recovered.

30 Yet another example illustrates the applicability of the invention to the attack of munitions or other targets at large stand-off distances. A charge

was loaded with 50g of PE4 and a projectile consisting of a 150<sup>o</sup> copper cone 1.64mm thick with a rounded apex. At a stand-off distance of 1400mm it produced a very neat hole 17mm in diameter through a 10mm thick mild steel plate.

5

In Figure 1 to 3, the tubular element to the left of ridge 10 mimics the corresponding end of one of other existing devices, the Jet. The importance of the shape is that it enable one to fit various components originally developed for the Jet onto a disruptor of the present invention. The square  
10 shoulder at its distal extremity is to accommodate an O-ring which seals the joint when the elongate nozzle 21 is attached for use under water. Another example of such fittings is the trepanning attachment 27.

Special features enabling the kit of parts to be assembled into different  
15 forms of disruptor include the following:-

1. The consolidating ring (for example 8) is threaded internally so that it engages with the thread on the outside of the body 1. This enables the operator to press any of a variety of projectiles against the explosive within  
20 the body by screwing the consolidating ring onto the body until tight. It then holds the projectile in that position. This obviates the need of cement which has previously been necessary for such a purpose but which is inconvenient to use in the field.
- 25 2. The spacer (for example 12) provides a means of translating the pressure applied by the tightened consolidating ring 8 against whatever projectile is being used. Its use enables the operator to assemble a variety of charges with a variety of projectile thickness and with a range of explosive loads.

30

3. The projectile (for example 7) represents a cone made of magnesium which is employed when an incendiary effect on the target is required. It is thicker than a conventional shaped charge liner of such a diameter since the density of magnesium ( $1.7\text{g/cm}^3$ ) is much lower than that of metals more commonly used such as copper ( $8.95\text{g/cm}^3$ ). The nature of the projectile material and the shape enables the operator to assemble charges with a particular terminal effect on a target. This may be the ignition of an explosive or pyrotechnic fill by means of the low density, fiercely combustible magnesium, or the detonation of an explosive-filled target or the penetration of thick metal by means of a conical liner of a high density, non-igniferous metal as copper or tantalum. A projectile consisting of water and polyethylene, in which the polyethylene cone serves principally to give shape to the water, constitutes a shaped charge with a liner of quite unusually low density and high thermal conductivity and is able to penetrate steel cases, to impinge upon explosives without causing their detonation or ignition, and to burst open target munitions or eject their fuses and thus render them safe. The relatively acute angle of the polyethylene cone, and of the cavity in the explosive, compared with that of the magnesium cone is employed in order to enhance the penetration of the low density polyethylene and water composite projectile.

4. The purpose of the film of lacquer applied to the surface of the explosive 11 is to protect the explosive from the action of water. This is less important in the case of highly water resistant explosives, such as those which incorporate mineral oil in their composition, but it is advantageous in the case of explosives such as PE4 plastic explosive which contain hydrophylic components in their composition and in the case of explosives which are soft and likely to undergo deformation if handled roughly. A more robust alternative to lacquer is a plastics former, for example in the shape of a cone or a diaphragm. Lacquer has the advantage, however, of

conforming with any shape which might be imparted to the surface of the explosive.

Figure 9 shows another disruptor 100 which corresponds to the simplest of  
5 the variants described hereinabove, and having no nozzle, but with three  
wire legs 101, 102, and 103 spread equally to provide a secure support.

Three simple tools may be advantageously employed for loading charges  
made according to the invention.

10

Of these the first is a volumetric measure consisting of a plastics tube, the  
outside of which bears circumferential grooves on the outside to provide a  
firm grip. In the wider of the two grips shown, a lettered piece of  
polyethylenic heat-shrink tubing is collapsed. This is transparent and printed  
15 with the approximate explosive load which the measure contains when  
completely filled. By printing with mirror-image lettering and everting  
before shrinking it into position, the lettering may at once be read through  
the translucent plastic sleeve and be protected from abrasion by it.

20 The body of the measure may advantageously be made from  
polytetrafluoroethylene (PTFE) since explosive substances tend to stick less  
to it than to other plastics.

The measure is filled by pushing the angled end into a mass of plastic  
25 explosive on a clean work surface. When explosive extrudes from the  
square end, any excess may be removed by stroking with the tamping rod.

The wide end of the same tamping rod is then used to expel the explosive  
from the lumen of the volumetric measure in the form of a regular slug. The  
30 volumetric measure may conveniently have such dimensions as yield a slug

of 20g. This simple means enables the operator easily to prepare aliquots of explosive which are accurate to within less than 3%.

5 This combination of tools offers great ease of use in diverse working conditions, is simple to learn to use, applicable to all malleable plastic explosives and very inexpensive compared with the simplest of balances. Unlike a balance, it may readily be used aboard a ship.

10 The tamping rod is provided with one end which is narrower than the other. This facilitates the tamping of plastic explosive against the end of the dummy detonator. The wider end serves to consolidate the explosive in the rest of the case.

15 It is the purpose of the mandrel to provide the exposed surface of the explosive with a shape appropriate to the projectile about to be loaded. To this end, it has one square end and one with a  $60^{\circ}$  point.

20 The invention may usefully be used for the rendering safe of limpet mines attached to the sides of ships or other underwater structures. Once the presence of such a mine is recognised or suspected, the sooner the response the more likely it is to be successful. Time can be saved by loading the charge with explosive but no water. By providing the body with a series of holes round its periphery, water may be allowed to flood in within approximately one second after immersion in water. This arrangement  
25 allows the charges to be stored dry and so free of risk of water loss through leakage and free of the risk of freezing and distortion if subjected to a cold environment.

30 Referring to Figure 10, there is shown a disruptor 130 for under water use. Explosive 131 is loaded into the body 132 and the shape of its forward

edge, which may be flat or provided with concavity is maintained by the flat or concave plastic diaphragm 133 which is provided with an integral spigot 134. This spigot 134 bears at least one hole 135 which is large enough to assure that a ring of holes 136 in the body will to a substantial extent be  
5 aligned with the holes 135. Thus, regardless of the rotational position of the diaphragm/spigot component 133 & 134, sufficient leakage path for surrounding water will occur to ensure that the cavity 137 forward of the diaphragm/spigot component 133 & 134 will be quickly flooded upon immersion.

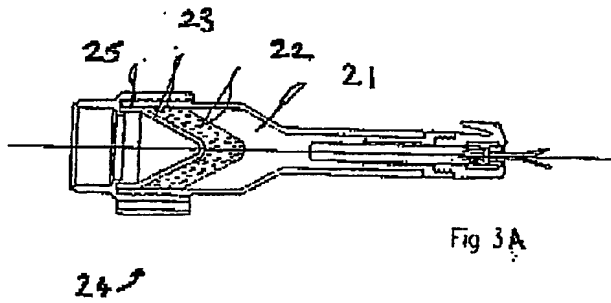
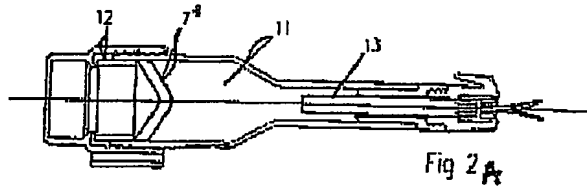
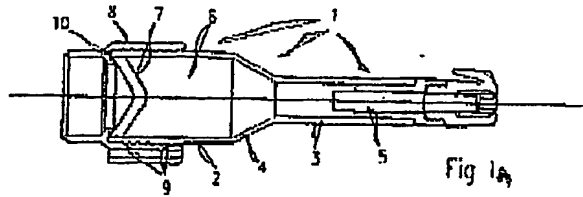
10

The forward end of the cavity 137 is conveniently defined by a thin-walled plastics cone 138 which is integral with the threaded consolidating ring 139. This arrangement also ensures that the stand-off space 140 is maintained  
15 free of water.

20

25

1/8



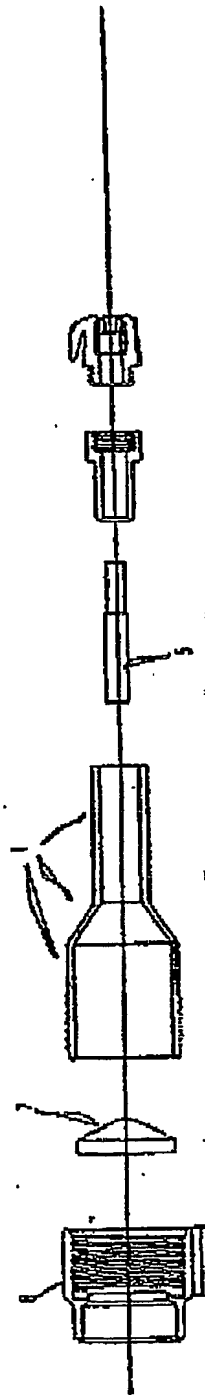


FIGURE 1B

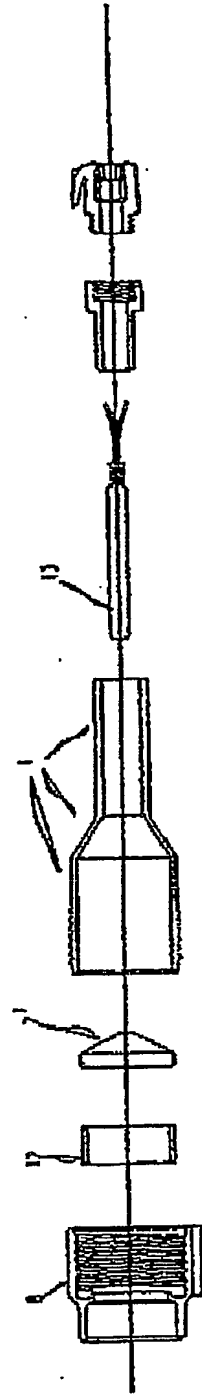
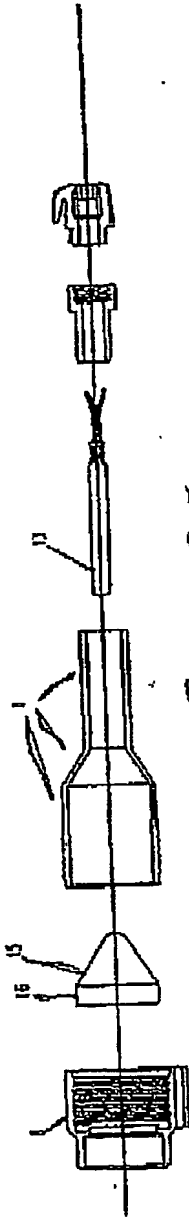


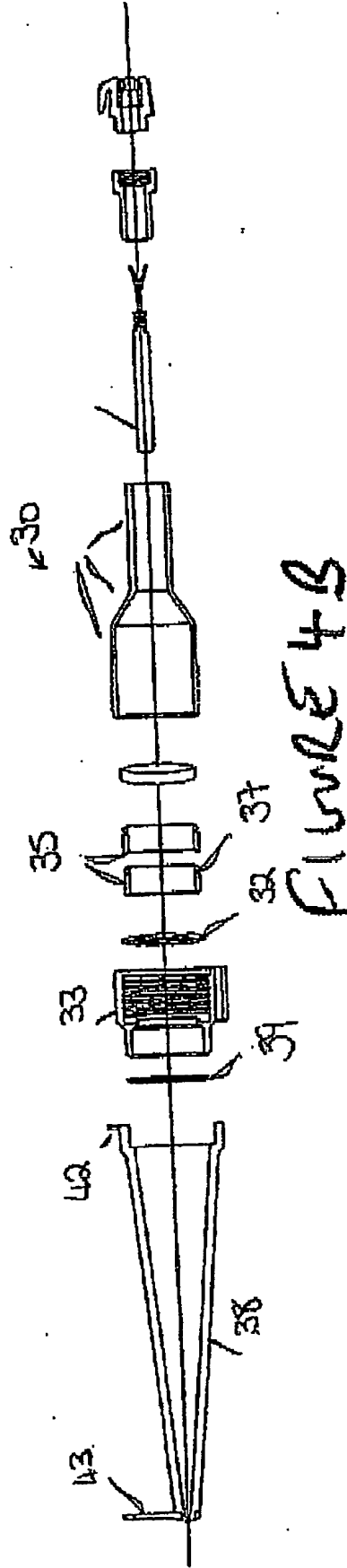
FIGURE 2B



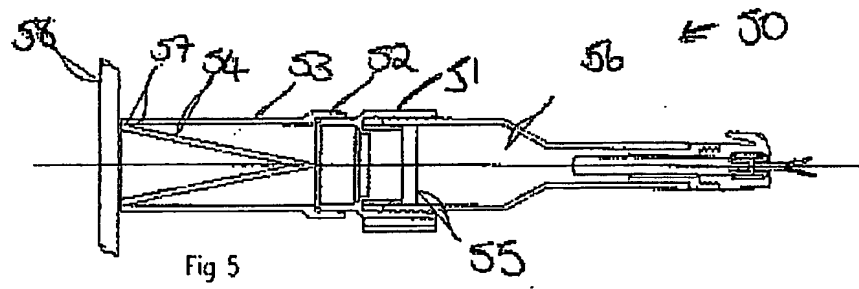
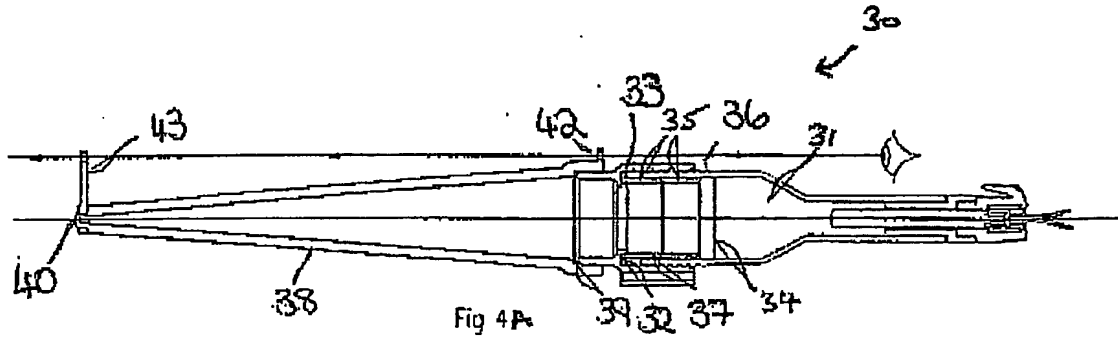
3/8



Fiber 3B



Fiber 4B



5/8



Fig 6

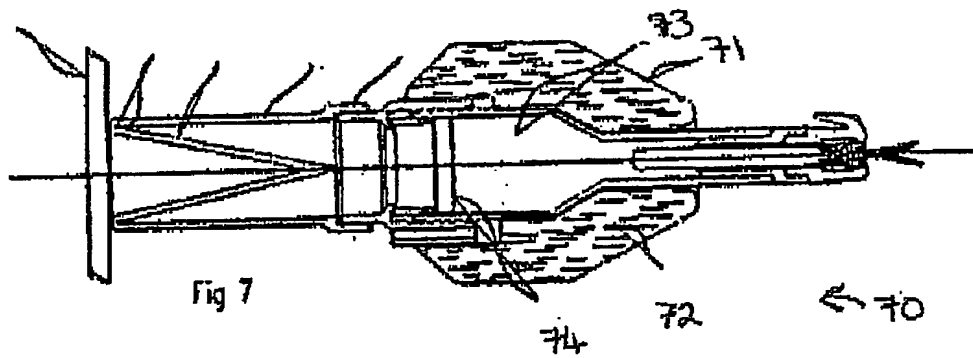


Fig 7

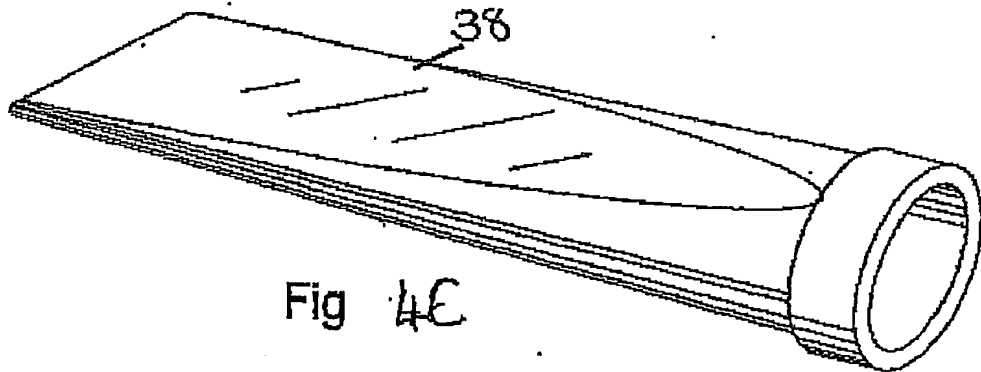
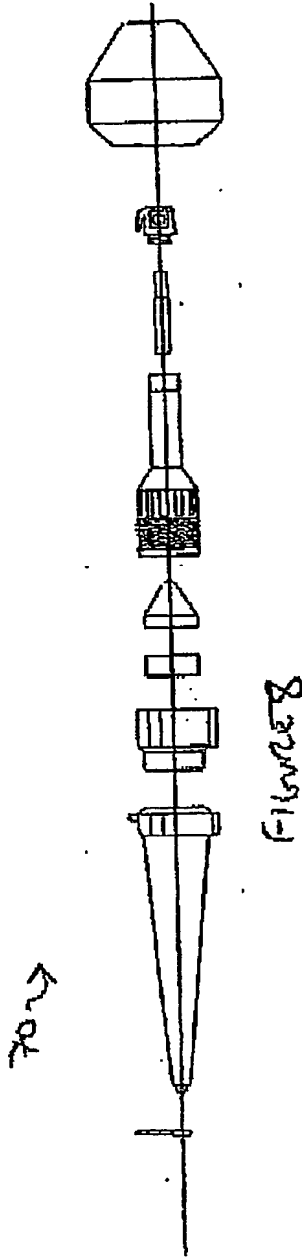


Fig 4E

6/8



7/8

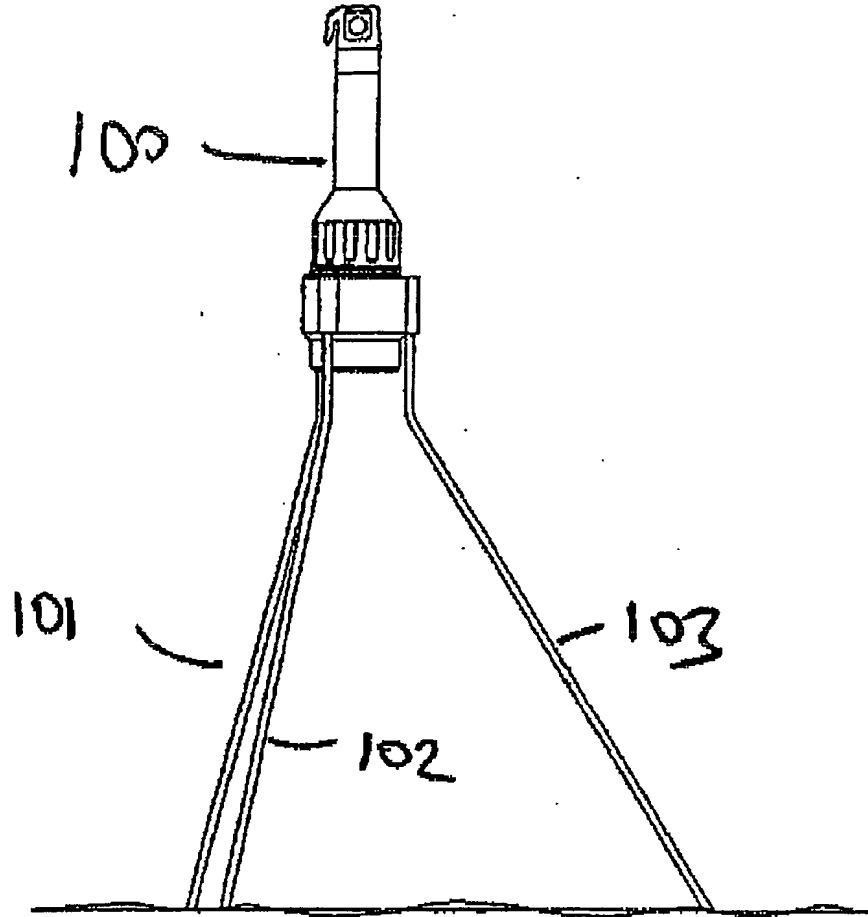


FIGURE 9.

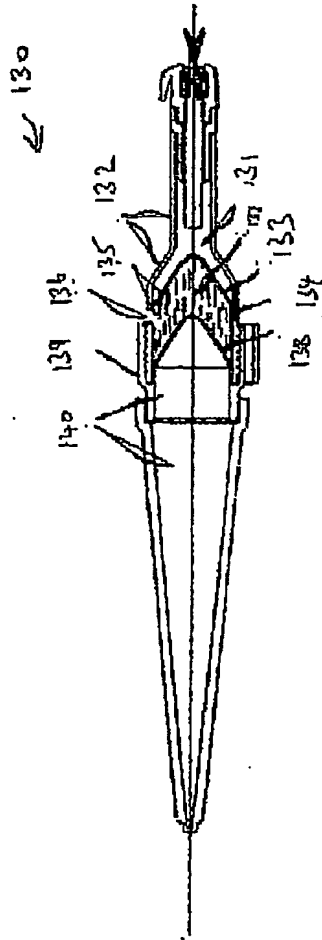


Figure 10